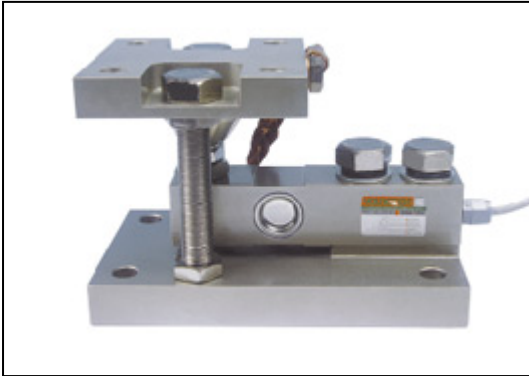


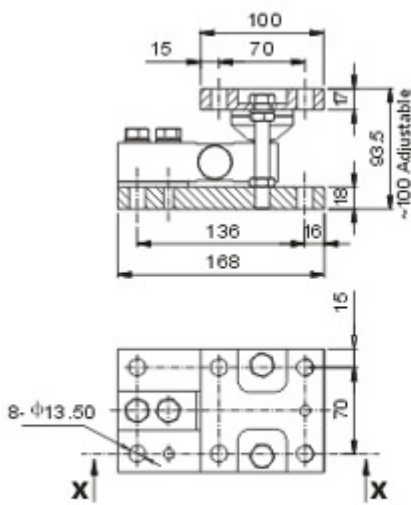
TECNOLOGIA & SOLUZIONI

TANK WEIGH MODEL

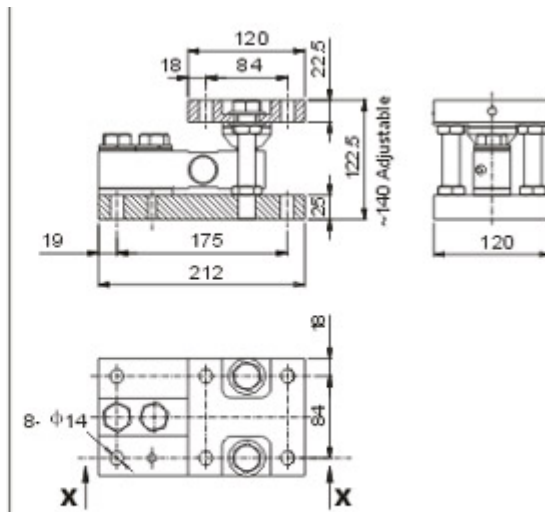


- Equipped with load cell YZ563Y class C1 according to OIML R60 legal for trade applications
- Compact structure at minimum installation height; and also be adjustable on height
- Easy installation
- Self-restoring
- Load cell optionally available in -class C3 according to OIML R60

Dimensions (in mm; 1mm = 0.03937 inches)



563Y-0.5~2t TANK
weigh model

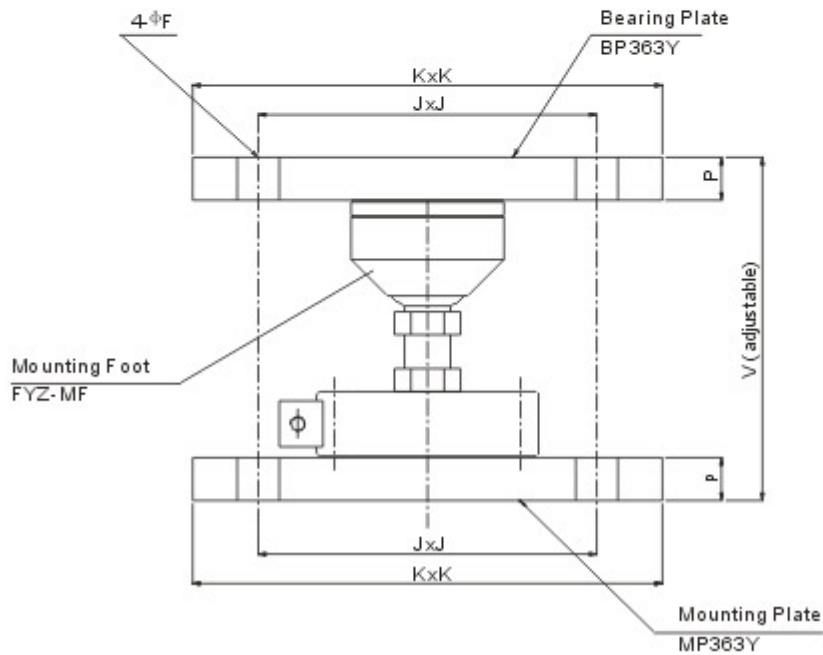
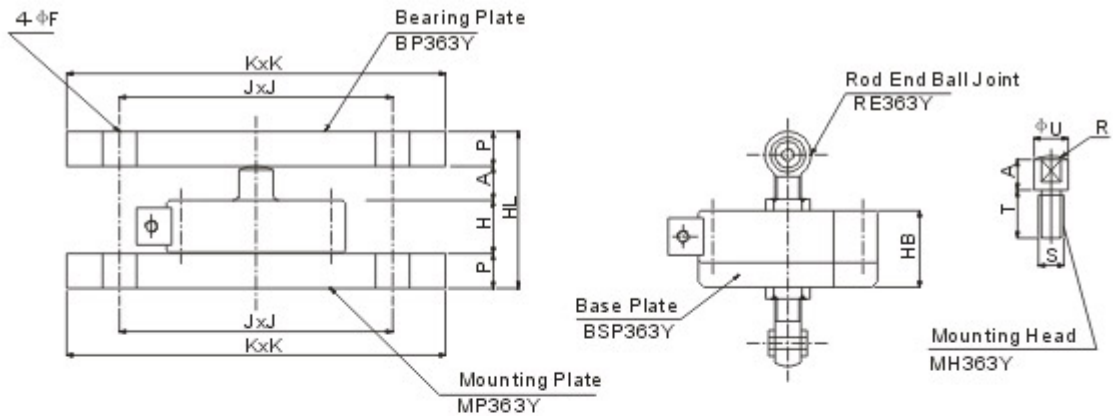


563Y-3,5t TANK
weigh model

TECNOLOGIA & SOLUZIONI

Dimensions

(in mm; 1mm =
0.03937
inches)



Max. Cap	A	F	HB	HL	J	K	P	R	S	T	U
1t..5t	8	14	64	89	128	150	23	85	M2.4X2	25	27
10t;20t	22	18	90	123	140	200	28	150	M3.6X2	38	45
30t	32	18	108	156	170	225	33	180	M4.2X2	48	54
50t	42	18	114	182	200	250	38	200	M4.2X2	54	64
100t	48	18	-	238	290	325	50	300	M7.0X3	79	102
200t	60	18	-	340	330	365	80	300	M8.0X3	79	136
300t	80	18	-	460	370	405	100	500	M12.0X3	90	160