

TECNOLOGIA & SOLUZIONI

LOAD CELLS



YZ563Y Load Cell, 100kg...20t

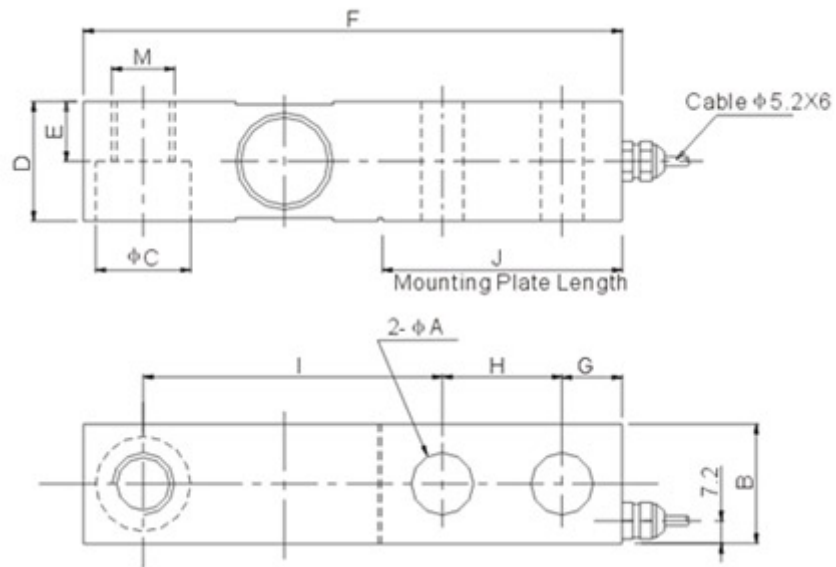
- OMOLOGATED OIML R60 C3 regulations up to 3 000d for scales class III
- OIML Cert. No R60/2000-CN-04.01
- Low Profile
- High sensitivity : 3mV/V
- Protection to IP67
- Explosion proof version (Ex ib II CT4)
- Max. Capacities: 100kg...20t
- Available Options :
 - Service temperature range up to 120°C [248°F]
 - Lightning proof
 - 6-wire circuit

Technical Data

Type		YZ563Y					
Accuracy class according to OIML R60		-	C3				
Maximal numbers of load cell verification intervals (nLC)		3000	3000				
Maximal capacity (E _{max})	kg	100;200;300	500				
	t		1	2	3-5	10	20
Deflection at max.load,(s _{nom})approx.(±20%)	mm	0.45	0.45	0.6	0.8	1.1	1.4
Weight (G), approx.	kg	1	1	1	1.8	4.1	5.5
Minimum load cell verification interval (V _{min})	% of C _n	0.03					
Sensitivity (C _n)	mV/V	3±0.25%					
Zero balance	mV/V	0±2%					
Temperature effect on sensitivity (TK _c) *	% of C _n /K	< ±0.0012					
Temperature effect on zero balance (TK _o)	% of C _n /K	<±0.0040					
Non-linearity (d _{lin}) *	%	<±0.017					
Repeatability (d _{rep}) *	%	<±0.017					
Hysteresis error (d _{hy}) *	%	<±0.017					
Creep (d _{DR})in 30 min.	%	< ±0.023					
Input resistance (RLC) Red(+)-white(-)	Ω	400 ±25					
Output resistance (R _o) blue(+)-green(-)	Ω	350±3					
Reference excitation voltage U _{ref}	V(DC/AC)	0.5...12					
Maximal excitation voltage	V(DC/AC)	18					
Insulation resistance R _{is}	GΩ	>2[50 VDC]					
Nominal temperature range	°C[°F]	-10...+40[15...+105]					
Service temperature range	°C[°F]	-30...+70[-20...+160]					
Storage temperature range	°C[°F]	-50...+85[-60...+185]					
Safe load limit (EL)	% of C _n	150					
Breaking load (Ed)	% of C _n	300					
Protection class (IP) acc. to IEC529		IP67					
Material		Steel alloy					
Optionally		Explosion proof version (Ex ib II CT4)					

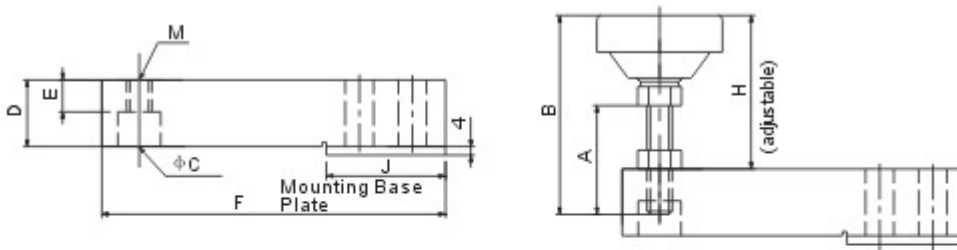
·The data for deviation of linearity, repeatability, hysteresis error and temperature effect on sensitivity are typical values. The sum of these data meets the requirements according to OIML R60.

Dimensions(in mm; 1mm = 0.03937 inches):



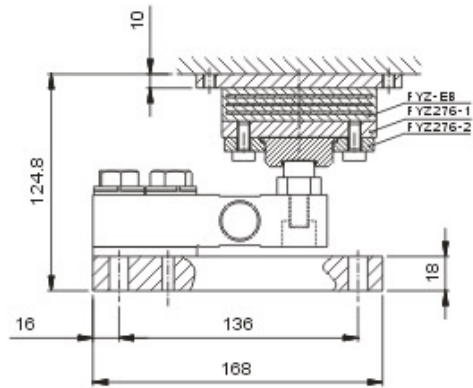
Max. Cap	A	B	C	D	E	F	G	H	I	J	M
100kg ...2t	13.5	31.8	20.6	31.8	15.2	130	15.8	25.4	76.2	57.2	M12X1.25
3.5t	19.8	38.1	30.2	38.1	19.1	171.5	19.1	38.1	95.3	76.2	M18X1.5
10t	26.2	50.8	46	50.8	25.4	222.3	25.4	50.8	120.7	101.6	M24X2
20t	30.2	58	50	58	33	241.5	27.5	55	132	110	M36X2

Mounting hardware for YZ563Y load cells

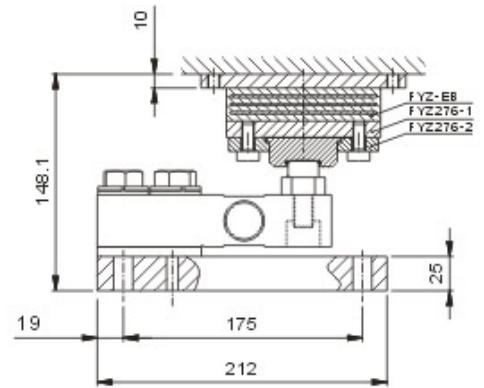


Max. Cap	A	B	C	D	E	F	H	J	M
100kg...2t	35	75	20.6	31.8	15.2	130	40...60	57.2	M12X1.25
3t;5t	50	105	30.2	38.1	19.1	171.5	65...86	76.2	M18X1.5
10t	60	130	46	50.8	25.4	222.3	70...105	101.6	M24X2
20t	80	170	50	58	33	241.5	90...138	110	M36X2

Dimensions(in mm;
 1mm = 0.03937
 inches)
 YZ563EB
 Elastomer bearing
 Model



YZ563Y/100kg...2t



YZ563Y/3;5t