

**Torsiometro Amplificato - Senza contatti**

**Tipo DR-2477**



**Dati tecnici- specifications**

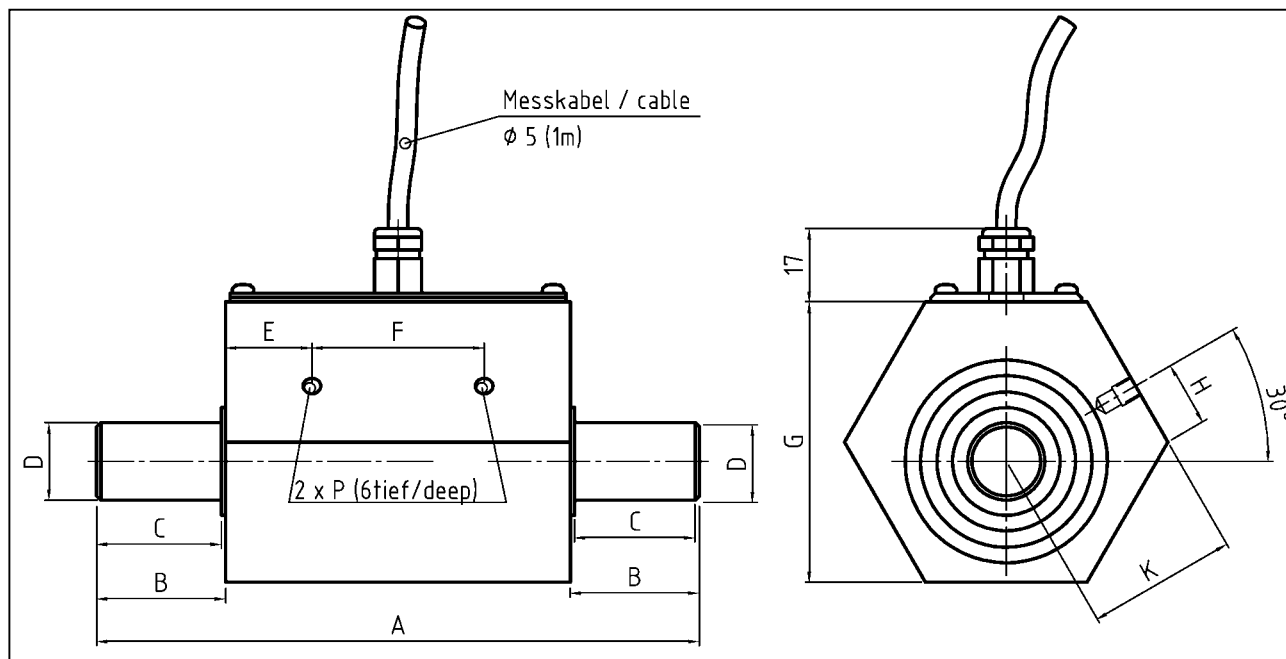
| TIPO type  |          | DR-2477                      |
|--|----------|------------------------------|
| Genauigkeitsklasse - accuracy class                      | % v.E    | 0,4                          |
| Reproduzierbarkeit n. DIN 1319 - nonrepeatability        | %        | ±0,2                         |
| Versorgung - supply voltage                              | VDC      | 15 ± 5%                      |
| Stromaufnahme - supply current                           | mA       | < 90                         |
| Ausgangssignal - output signal                           | Vdc      | ± 5                          |
| Kennwerttoleranz - tolerance of sensitivity              | %        | ± 0,1                        |
| Nenntemp.bereich - nominal temp. range                   | °C       | +5 ... +45                   |
| Gebrauchstemp.bereich - service temp. range              | °C       | 0 ... +60                    |
| Temp. koef. des Kennwertes - temp. coeff. of sensitivity | % v.E./K | +0,02                        |
| Temp. koef. des Nullsignals - temp. coeff. of zero       | % v.E./K | ±0,04                        |
| Gebrauchsmoment (statisch) - service torque              | % v.E.   | 150                          |
| Grenzmoment (statisch) - limit torque                    | % v.E.   | 180                          |
| Bruchmoment (statisch) - ultimate torque                 | % v.E.   | > 250                        |
| Grenzfrequenz - cut-off frequency                        |          | 1 kHz - 3dB                  |
| Schwingbreite - bandwidth (DIN 50100)                    | %        | 70 (Spitze - Spitze) - (p-p) |
| Schutzart - level of protection (DIN 40 050)             |          | IP 50                        |

| Articolo<br>Nr.<br>art.no. | Campo misura<br>nominal<br>torque<br>[Nm] | Costante<br>di torsione<br>springrate<br>[Nm/rad] | Max. Numero giri<br>revolution max.<br>[min <sup>-1</sup> ] | Momento inerzia<br>moment of inertia J in [kg cm <sup>2</sup> ] |                        | Max carico spinta<br>max. thrust load<br>[N] |
|----------------------------|---|---|---|---|------------------------|--|
|                            |   |   |   | Antriebsseite<br>drive side                                     | Messseite<br>test side |  |
| 106433                     | 1   | 450   | 8000*   | 0.009   | 0.0025                 | 40   |
| 106475                     | 2   | 450   | 8000*   | 0.009   | 0.0025                 | 40   |
| 106434                     | 5   | 1730  | 8000*   | 0.01  | 0.0035                 | 50   |
| 106476                     | 10  | 1730  | 8000*   | 0.01  | 0.0035                 | 50   |
| 106435                     | 15  | 1730  | 8000*   | 0.01  | 0.0035                 | 50   |
| 106541                     | 20  | 11750   | 6000*   | 0.2   | 0.09                   | 1600   |
| 106542                     | 50  | 11750   | 6000*   | 0.2   | 0.09                   | 1600   |
| 106543                     | 100                                       | 46000   | 6000*   | 0.3   | 0.13                   | 3000   |
| 106544                     | 200                                       | 46000   | 6000*   | 0.3   | 0.13                   | 3000   |

\*Opzione: Numero di giri maggiore su richiesta - Option: Increased number of revolutions on request

**Dimensioni meccaniche- dimensions**

**Typ DR-2477**



| Campo misura<br>nominal torque<br>[Nm] | Dimensioni - dimension<br>[mm] |      |    |       |    |    |    |    |      |    |
|--|--------------------------------|------|----|-------|----|----|----|----|------|----|
|  | A                              | B    | C  | Ø D   | E  | F  | ⊙G | H  | K    | P  |
| 1...2                                  | 100                            | 17,5 | 17 | 8 g6  | 15 | 35 | 46 | 8  | 26   | M4 |
| 5...15                                 | 100                            | 17,5 | -  | 10 g6 | 15 | 35 | 46 | 8  | 26   | M4 |
| 20...50                                | 140                            | 30   | 29 | 18 g6 | 20 | 40 | 65 | 15 | 34,8 | M5 |
| 100...200                              | 160                            | 40   | 39 | 22 g6 | 20 | 40 | 65 | 15 | 34,8 | M5 |

| Collegamenti - connection        |                       |
|----------------------------------|-----------------------|
| Alimentazione (0V) - supply (0V) | verde- green ve       |
| Alimentazione(+) - supply (+)    | marron - brown        |
| Segnale(±) - signal (±)          | giallo- yellgw ia     |
| Segnale(0V) - signal (0V)        | bianco- white         |
| Schermo - shield                 | intrecciato - netting |